

TM-PCA215

Wide 21.5" FHD Panel mount Industrial Monitor; 1 DP, 1 HDMI, 1 VGA, 1 DVI; Pcap. Touch; Front IP65 rated

Version: 3.2



Features:

- Modular designed, aluminum-magnesium alloy, anodized treated;
- Wide 21.5" TFT LCD Display, WLED Backlit, FHD 1920*1080;
- Multi up to 10 points Pcap. touchscreen, EETI controller;
- USB touch interface, optional RS232 touch interface;
- DC 12V power input, optional wide DC 9 ~36v input;
- Multiple signal inputs: 1 HDMI, 1 DP, 1 VGA, 1 DVI;
- Panel mount, VESA 75/100 mount, Front IP65 rated protection
- Optional outdoor high brightness and optical bonding features.

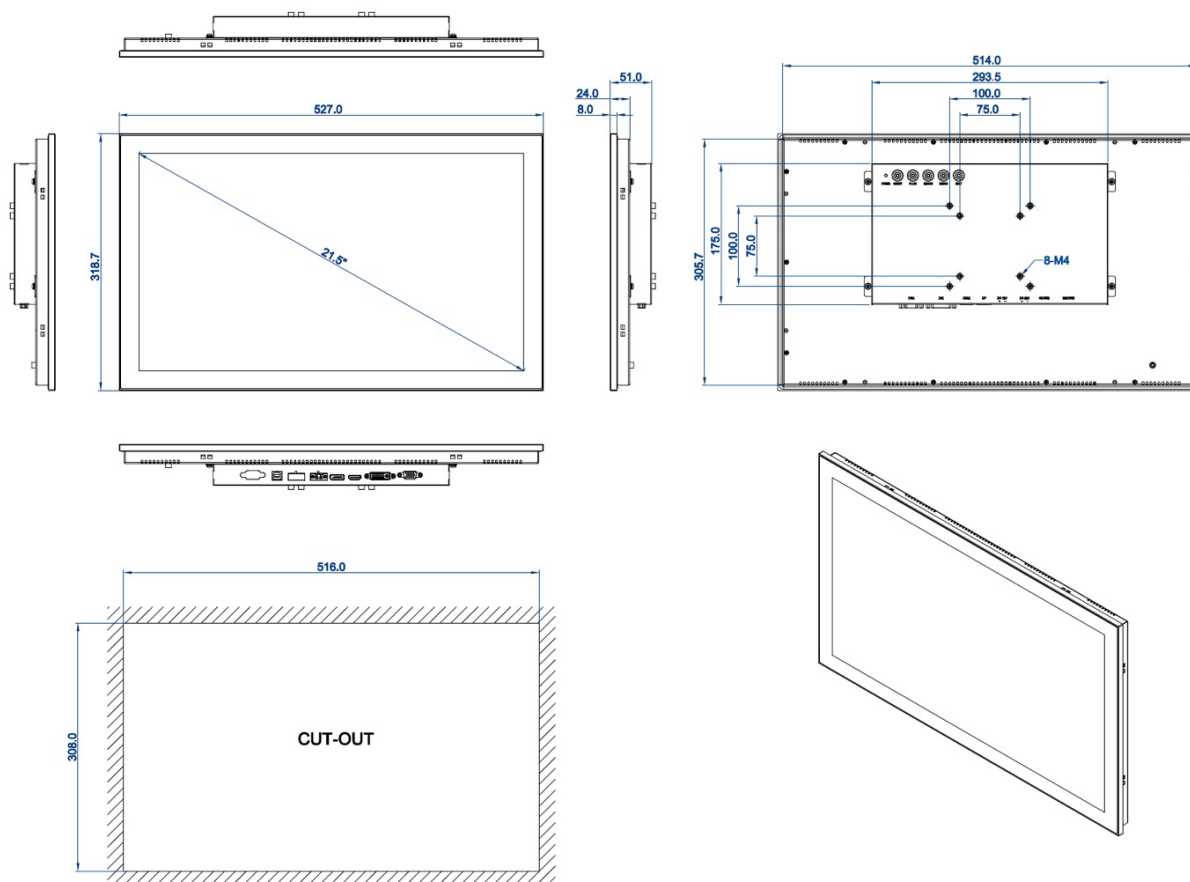
Specification



Basic	Front Panel	Magnesium-aluminum alloy, anodized treatment
	Rear Panel	SGCC Plate sheet, sand-blasting
	Control Button	OSD button on top of backside
	Signal Input	1 VGA, 1 DVI, 1 HDMI, 1 DP
	Mount Method	Panel mount, VESA 75/100
	Overall Dimension	527.0 * 318.7 * 51.0 (mm)
	Cut-out Dimension	516 * 308 (mm)
	Net Weight	6.1 KG
	IP Rate	Front Surface IP65 water-proof/Dust-proof
LCD Display	Size/Type	21.5" TFT LCD Display
	Resolution	1920 * 1080 (Full HD)
	Brightness	250 nits
	Contrast Ratio	3000:1
	Backlit & Lifetime	WLED Backlit & 30K hours
	Display Area	476.64 * 268.11
	View Angle	89/89/89/89
Touchscreen	Type	Projective capacitive touchscreen
	Touch points	Multi points touch, max. up to 10 points
	Durability	>100 000 000 times
	Surface Hardness	MOHS 6H
	Touch Controller	EETI
	Touch Interface	USB touch (Optional RS232 touch interface)
	Special Treatment	Anti-Fingerprint (AF)
Power & Environmental	Operating temp.	0 ~ + 50 (°C)
	Storage temp.	-20 ~ + 60 (°C)
	Humidity	10 ~ 95% @ 10C (No condensation)
	Vibration	50 ~ 500 Hz, 1.5G, 0.15mm peak to peak
	Shock	10G/Peak (11 ms)
	Power input	DC 12V (Optional wide voltage DC 9~36V)
	Power consumption	About 25W
	Certificate	CE/FCC/ROHS

Dimension (mm)

DIMENSIONAL DRAWING:TM-PCA215



DIMENSIONS IN MILLIMETERS

TAICENN
DATE:2020.12.15
REV:A Unit:mm

Ordering information

Part no.	Description
TM-PCA215	21.5" LCD, FHD 1920 *1080, Pcap. Touch, USB Touch Interface, 1 HDMI, 1 DVI, 1 VGA, 1 DP, DC 12V, PSU
TM-PCA215S	21.5" LCD, FHD 1920 *1080, Pcap. Touch, RS232 Touch Interface , 1 HDMI, 1 DVI, 1 VGA, 1 DP, DC 12V, PSU
TM-PCA215W	21.5" LCD, FHD 1920 *1080, Pcap. Touch, USB Touch Interface, 1 HDMI, 1 DVI, 1 VGA, 1 DP, DC 9~36V, No PSU by default
TM-PCA215L	21.5" LCD, FHD 1920 *1080, High brightness option , Pcap. Touch, USB Touch Interface, 1 HDMI, 1 DVI, 1 VGA, 1 DP, DC 12V, PSU
TM-PCA215L-OB	21.5" LCD, FHD 1920 *1080, High brightness & optical bonding , Pcap. Touch, USB Touch Interface, 1 HDMI, 1 DVI, 1 VGA, 1 DP, DC 12V, PSU
Optional Accessories	Description
HDMI Cable	HDMI Cable, around 2.0m length
DP Cable	DP Cable, around 2.0m length
DVI Cable	DVI Cable, around 2.0m length
PSU	40W PSU (Extra for TM-PCA215W model)
COM Cable	COM cable, around 1.8m length (For TM-PCA215S model)

Packing List

Description	Quantity	Description	Quantity
Standard TM-PCA215	1 piece	VGA Cable, around 1.8m length	1 piece
40W PSU	1 set	Power Cable & Plug	1 set
USB Touch Cable, around 1.8m length	1 piece	Panel mount metal clips	1 set (8 pieces)