

# TPC-DC080C1E

8.0" Intel Celeron J1900 VESA mount Pcap. Industrial Panel PC



## ◆ Key Features:

- 8.0" TFT LCD screen, LED Backlit, Resolution 800\*600;
- Intel Baytrail J1900 2.0Ghz, Quad-core, burst to 2.42Ghz processor;
- Multi-points (Max. up to 10 points) Projective capacitive touchscreen;
- Aluminum-magnesium alloy, anodized treatment, TAICENN Modular designed;
- DC 9~36V power input, 20w power consumption;
- 2\* Intel 10/100/1000 GLAN, optional with 3G/4G/LTE, Wi-Fi/BT wireless, and GPS;
- 4\* USB (1\*USB3.0), 4\*RS232, 1\*RS422, 1\*HDMI;
- Fan-less & slim design, VESA mount, Front panel IP65 protection;
- I/O: 2\*GLAN, 4\* USB, 5\*COM, 1\*HDMI, 1\*Power, Mic-in/Line-out.

## ◆ Specification:

| Hardware & system |  |
|-------------------|--|
| BIOS              | SPI AMI EEI BIOS   |
| CPU               | Intel Baytrail J1900 processor, Quad-core 2.0Ghz, burst to 2.42Ghz |
| Memory            | SO-DIMM, DDR3L, max. up to 8GB                                     |
| Storage           | 1*mSATA  |
| Graphic card      | Intel HD Graphics Gen7   |
| Network           | 2* Intel I211AT (Optional 3G/4G/Wi-Fi)                             |
| Audio             | On-board Realtek ACL 282 audio controller                          |
| Expansion         | 1* Full size Mini-PCIe slot  |

|                                  |   |
|----------------------------------|---|
| Watch dog                        | 0~256 seconds programmable                                  |
| OS                               | Win7, Win8, Win embedded, Win10, Linux                      |
| <b>IO interface</b>              |   |
| COM                              | 4*RS232, 1* RS422   |
| Ethernet                         | 2* RJ45, 10/100/1000 Mbps                                   |
| Audio                            | Mic in/Line out   |
| USB                              | 4* USB (1*USB3.0)   |
| Display                          | 1* HDMI   |
| Power                            | 1* 2 pins, phenix terminal                                  |
| <b>LCD</b>                       |   |
| Size/Type                        | 8.0" TFT LCD  |
| Resolution                       | 800*600   |
| Brightness                       | 250 nits  |
| Backlit & MTBF                   | LED backlit & 30 000 hours                                  |
| Display area                     | 162* 121.5  |
| View angle                       | 70/70/50/70   |
| <b>Touch</b>                     |   |
| Type                             | Projective capacitive touchscreen                           |
| Touch points                     | Multi points touch, max. up to 10 points                    |
| Durability                       | >100 000 000 times  |
| Surface hardness                 | Mohs 6H   |
| Special treatment                | Anti-fingerprint (AF)                                       |
| <b>Structure</b>                 |   |
| Structure and surface            | Magnesium-Aluminum alloy, sand blasting, anodized treatment |
| Mount method                     | VESA 75/100   |
| Cooling system                   | Large area finned heat sink                                 |
| Overall dimension                | 211.5 * 170.5 * 51.5 (mm)                                   |
| Net weight                       | 2.6KG   |
| IP rate                          | Front IP65 water-proof & Dust-proof protection              |
| <b>Power &amp; environmental</b> |   |
| Operating temp.                  | -20 ~ +70°C   |
| Storage temp.                    | -30 ~ +80°C   |
| Relative humidity                | 10 ~ 95% @ 10C (Non-condensation)                           |
| Vibration                        | 50 ~ 500 Hz, 1.5G, 0.15mm peak to peak                      |
| Shock                            | 10G/Peak (11 ms)  |
| Voltage input                    | DC 9 ~36V   |
| Power consumption                | Around 20W  |
| EMC                              | CE/FCC Class A  |

### ◆ Ordering information:

| Part no.    | Ordering information  |
|-------------|---|
| TPC-DC080C1 | 8.0" LCD, 800*600, <b>Pcap. touch</b> , Intel J1900, 2*GLAN, 1*USB3.0, 3*USB2.0, 5*COM, 1*HDMI, Mic-in, Line-out, DC 9~36v in   |
| TPC-DC104C1 | 10.4" LCD, 1024*768, <b>Pcap. touch</b> , Intel J1900, 2*GLAN, 1*USB3.0, 3*USB2.0, 5*COM, 1*HDMI, Mic-in, Line-out, DC 9~36v in |

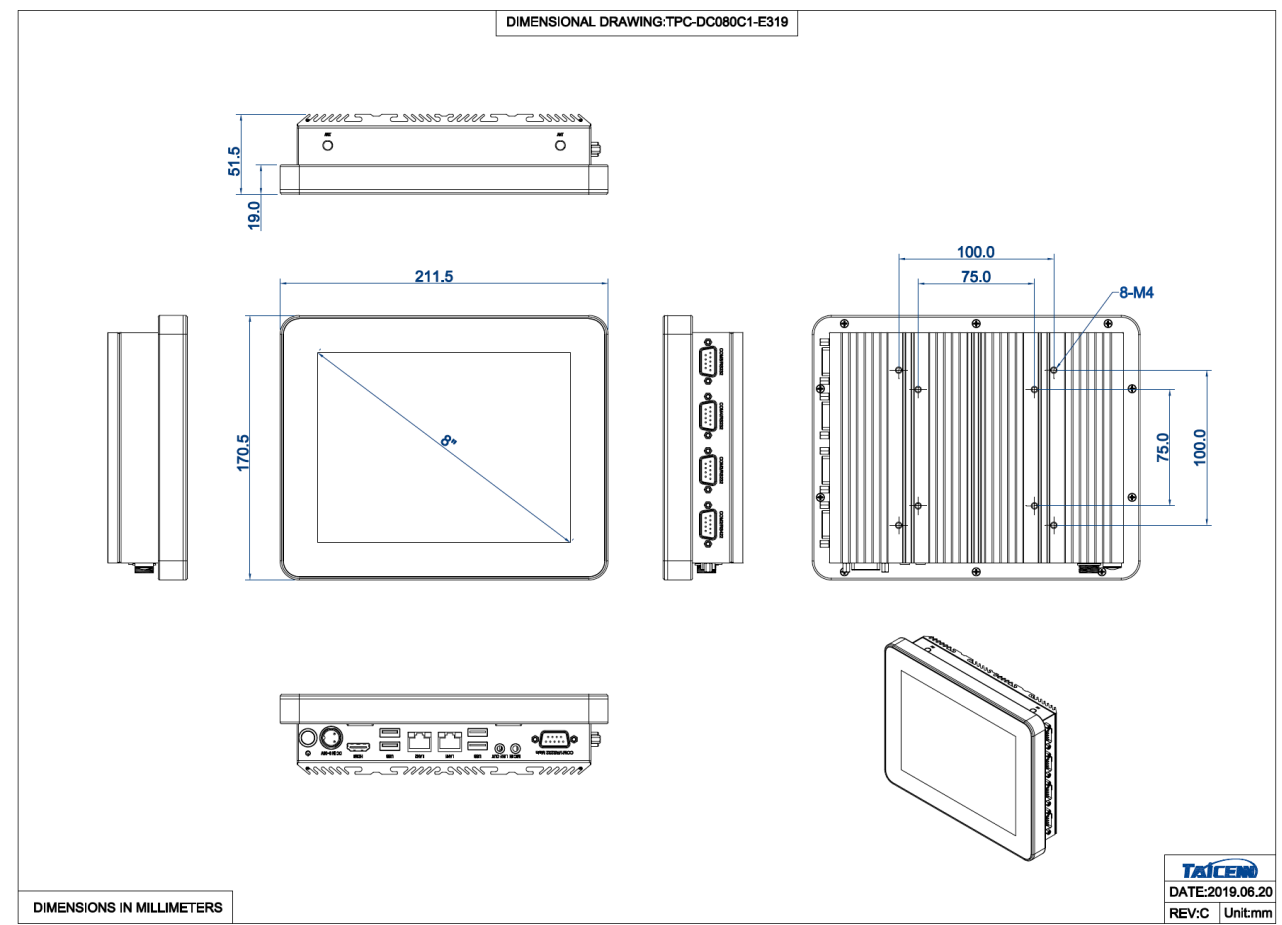
◆ Options Accessories:

| Item            | Part no.                | Description  |
|-----------------|-------------------------|--|
| Memory          | TDDR3-4/8GB1            | SO-DIMM, DDR3L,4GB/8GB Memory                                      |
| Storage         | TMSATA-32/64/128/256GB1 | mSATA SSD: 32GB/64GB/128GB/256GB                                   |
|                 | T25SAS-256/512GB1       | 2.5" SATA SSD: 256GB/512GB   |
|                 | T25SAH-1T/2T/4TB1       | 2.5" HDD: 1TB/2TB/4TB  |
| Wireless Module | TWM-WIFIA1              | Full size Mini-PCIe, Wi-Fi module, with Antenna                    |
|                 | TWM-WIFIBT1             | Full size Mini-PCIe, Wi-Fi with BT integrated module, with Antenna |
|                 | TWM-4GA1                | Full size Mini-PCIe, All network 4G/LTE module, With Antenna       |

◆ Package List:

- 1x Standard product;
- 1x 60w PSU (power supply);
- 1x Power cable;

◆ Dimension:



The information in this specification is subject to change without notice.