

TPC-DCM121C1

12.1" XGA Intel Baytrail Pcap. Panel PC

Version: 3.0



Features

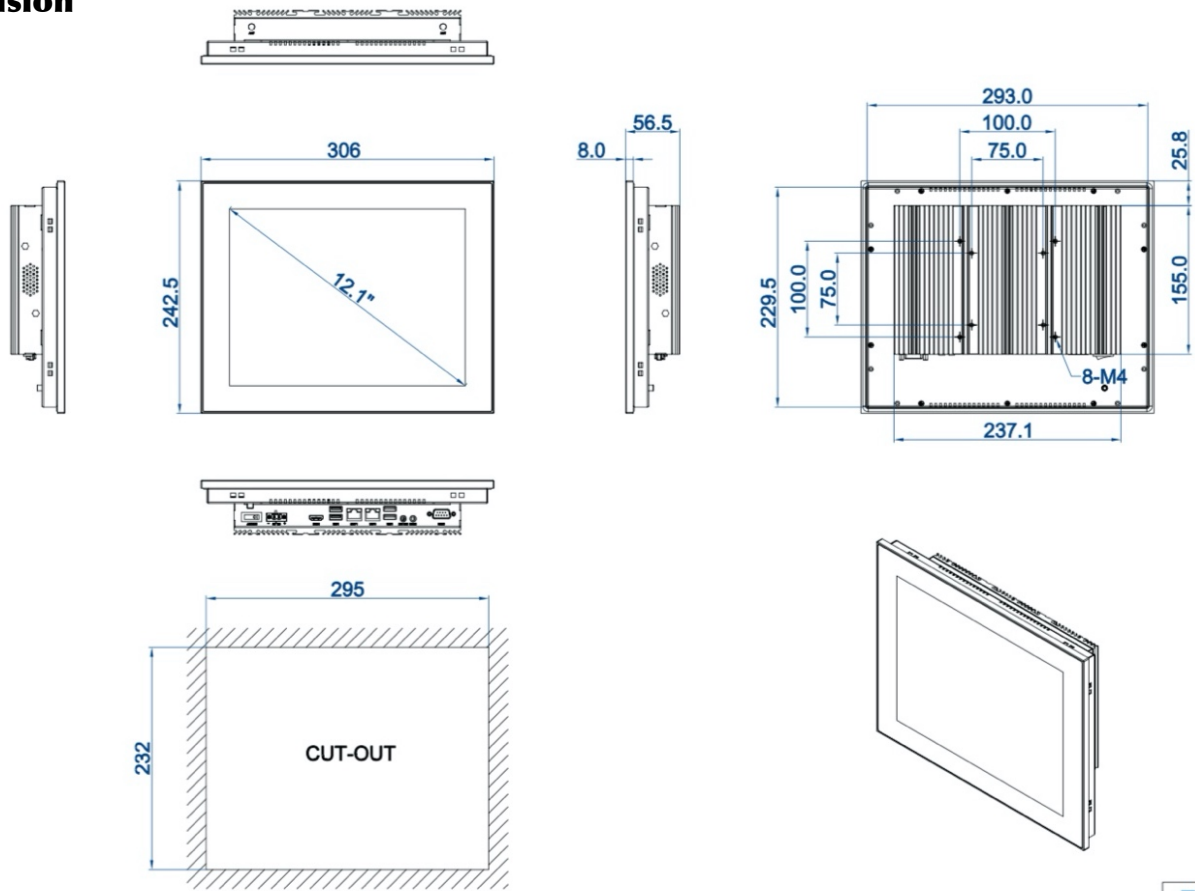
- 12.1" TFT LCD display, LED Backlit, XGA 1024 *768;
- Intel Baytrail J1900 2.0Ghz Quad-core processor;
- Multi-points (Max. up to 10 points) Projective capacitive touch, EETI controller;
- Aluminum-magnesium alloy, anodized treatment, Modular designed;
- Wide voltage DC 9~24V power input;
- 2*GLAN, 4*USB, 1*COM, 1*HDMI, Mic-in/Line-out;
- Fan-less & Slim design, Panel mount, VESA, Front IP65 protection.

Specification

Hardware & System	BIOS	SPI AMI EEI BIOS
	CPU	Intel Baytrail J1900, Quad-core 2.0Ghz, burst to 2.42Ghz
	Memory	SO-DIMM, DDR3L-1333, Max. up to 8GB (Compatible with DDR3)
	Storage	1*mSATA
	Graphic	Intel HD Graphic Gen 7
	Network	2* Intel I211AT (Optional 3G/4G/Wi-Fi)
	Audio	On-board Realtek ACL 282 audio controller
	Expansion	1* Full size Mini-PCIe slot
	Watch dog	0~256 seconds programmable
	OS	Win7, Win8, Win embedded, Win10, Linux
IO interface	COM	1*RS232 (Support RS485)
	Ethernet	2* RJ45, 10/100/1000 Mbps
	Audio	Mic-in/Line-out
	USB	1x USB3.0, 3x USB2.0
	Display	1x HDMI
	Power	1x 2 pins, phenix terminal
LCD Display	Size/Type	12.1" TFT LCD
	Resolution	1024 * 768 (XGA)
	Brightness	350 nits
	Backlit & MTBF	LED backlit & 30 000hours
	Display area	245.76 * 184.32
	View angle	80/80/80/80
Touchscreen	Type	Projective capacitive touchscreen
	Touch points	Multi points touch, max. up to 10 points
	Durability	>100 000 000 times
	Surface hardness	Mohs 6H
	Special treatment	Anti-fingerprint (AF)
Structure	Structure and surface	Magnesium-Aluminum alloy, sand blasting, anodized treatment
	Mount method	Panel mount, VESA 75/100
	Cooling system	Large area finned heat sink
	Overall dimension	306.0 * 242.5 * 56.5 (mm)
	Cut-out dimension	295 * 232 (mm)
	Net weight	3.5 KG
	IP protection	Front Panel IP65
Power & Environmental	Operating temp.	-20 ~ +70°C
	Storage temp.	-30 ~ +80°C
	Relative Humidity	10 ~ 95% @ 10C (Non-condensation)
	Vibration	50 ~ 500 Hz, 1.5G, 0.15mm peak to peak
	Shock	10G/Peak (11 ms)
	Power input	DC 9~24V
	Power consumption	Around 30W
	EMC	CE/FCC Class A

DIMENSIONAL DRAWING:TPC-DCM121

Dimension



DIMENSIONS IN MILLIMETERS

TAICEN
 DATE:2019.12.06
 REV:A Unit:mm

Ordering info.

Part no.	Description
TPC-DCM121C1	12.1", 1024 * 768, Intel Baytrail J1900, Pcap. touch, 2*GLAN, 4*USB, 1*COM, 1*HDMI, Mic-in/Line-out, DC 9~24V
TPC-DRM121C1	12.1", 1024 * 768, Intel Baytrail J1900, Resistive touch, 2*GLAN, 4*USB, 1*COM, 1*HDMI, Mic-in/Line-out, DC 9~24V
TDDR3-2/4/8GB1	Memory: SO-DIMM, DDR3L, 2GB/4GB/8GB Memory
TMSATA-32/64/128/256/512GB1	mSATA SSD: 32GB/64GB/128GB/256GB/512GB
TWM-WIFIA1	Wi-Fi module, with Antenna
TWM-WIFIBT1	Wi-Fi with BT integrated module, with Antenna
TWM-4GA1	All network 4G/LTE module, With Antenna

Packing List

■ 1x Standard Product
■ 1x 60W PSU (Power Supply)
■ 1x Power cable & Plug
■ 8x Panel mount metal clips