

TPC-DCM121HC1W

12.1" WXGA Intel Baytrail Panel PC

Version: 1.0



Features

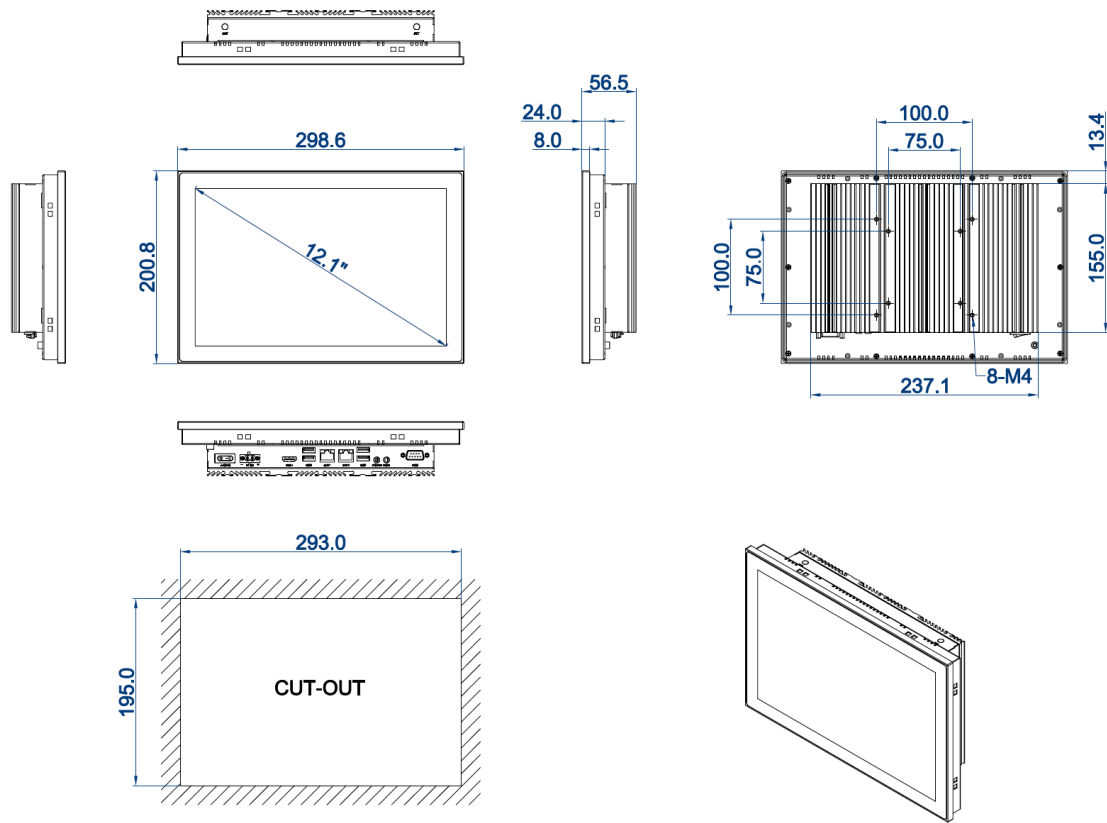
- 12.1" TFT LCD display, LED Backlit, WXGA 1280 *800;
- Intel Baytrail J1900 2.0Ghz Quad-core processor;
- Multi-points (Max. up to 10 points) Projective capacitive touch, EETI controller;
- Aluminum-magnesium alloy, anodized treatment, Modular designed;
- Wide voltage DC 9~36V, with over-current/over-voltage, polarity protection;
- 2*GLAN, 4*USB, 1*COM, 1*HDMI, Mic-in/Line-out;
- Fan-less & Slim design, Panel mount, VESA, Front IP65 protection.

Specification

Hardware & System	BIOS	SPI AMI EEI BIOS	
	CPU	Intel Baytrail J1900, Quad-core 2.0Ghz, burst to 2.42Ghz	
	Memory	SO-DIMM, DDR3L-1333, Max. up to 8GB (Compatible with DDR3)	
	Storage	1*mSATA	
	Graphic	Intel HD Graphic Gen 7	
	Network	2* Intel I211AT (Optional 3G/4G/Wi-Fi)	
	Audio	On-board Realtek ACL 282 audio controller	
	Expansion	1* Full size Mini-PCIe slot	
	Watch dog	0~256 seconds programmable	
	OS	Win7, Win8, Win embedded, Win10, Linux	
	IO interface	COM	1*RS232 (Support RS485)
Ethernet		2* RJ45, 10/100/1000 Mbps	
Audio		Mic-in/Line-out	
USB		1x USB3.0, 3x USB2.0	
Display		1x HDMI	
Power		1x 2 pins, phenix terminal	
LCD Display		Size/Type	12.1" TFT LCD
	Resolution	1280 * 800, WXGA, 124PPI	
	Brightness	500 nits	
	Backlit & MTBF	WLED backlit & 50K hours	
	Display area	261.12 * 163.2	
	View angle	85/85/85/85	
Touchscreen	Type	Projective capacitive touchscreen	
	Touch points	Multi points touch, max. up to 10 points	
	Durability	>100 000 000 times	
	Surface hardness	Mohs 6H	
	Special treatment	Anti-fingerprint (AF)	
Structure	Structure and surface	Magnesium-Aluminum alloy, sand blasting, anodized treatment	
	Mount method	Panel mount, VESA 75/100	
	Cooling system	Large area finned heat sink	
	Overall dimension	298.6 * 200.8 * 56.5 (mm)	
	Cut-out dimension	293 * 195 (mm)	
	Net weight	3.3 KG	
	IP protection	Front Panel IP65	
	Power & Environmental	Operating temp.	-20 ~ +70°C
		Storage temp.	-30 ~ +80°C
Relative Humidity		10 ~ 95% @ 10C (Non-condensation)	
Vibration		50 ~ 500 Hz, 1.5G, 0.15mm peak to peak	
Shock		10G/Peak (11 ms)	
Power input		DC 9~36V	
Power consumption		Around 30W	
EMC		CE/FCC Class A	

DIMENSIONAL DRAWING:TPC-DCM121H

Dimension



DIMENSIONS IN MILLIMETERS

TAICENN
 DATE:2022.04.02
 REV:A Unit:mm

Ordering info.

Part no.	Description
TPC-DCM121HC1W	12.1", 1280 * 800, Intel Baytrail J1900, Pcap. touch, 2*GLAN, 4*USB, 1*COM, 1*HDMI, Mic-in/Line-out, DC 9~36V, No PSU
TPC-DRM121HC1W	12.1", 1280 * 800, Intel Baytrail J1900, Resistive touch, 2*GLAN, 4*USB, 1*COM, 1*HDMI, Mic-in/Line-out, DC 9~36V, No PSU
TDDR3- <u>2/4/8</u> GB1	Memory: SO-DIMM, DDR3, <u>2GB/4GB/8GB</u> Memory
TMSATA- <u>32/64/128/256/512</u> GB1	mSATA SSD: <u>32GB/64GB/128GB/256GB/512GB</u>
TWM-WIFIA1	Wi-Fi module, with Antenna
TWM-WIFIBT1	Wi-Fi with BT integrated module, with Antenna
TWM-4GA1	All network 4G/LTE module, With Antenna

Packing List

■ 1x Standard Product
■ 1x 60W PSU (Power Supply)
■ 1x Power cable & Plug
■ 8x Panel mount metal clips