

# TPC-DCM156HC1

15.6" Full HD Intel J1900 Pcap. Panel PC

Version: 3.0



## Features

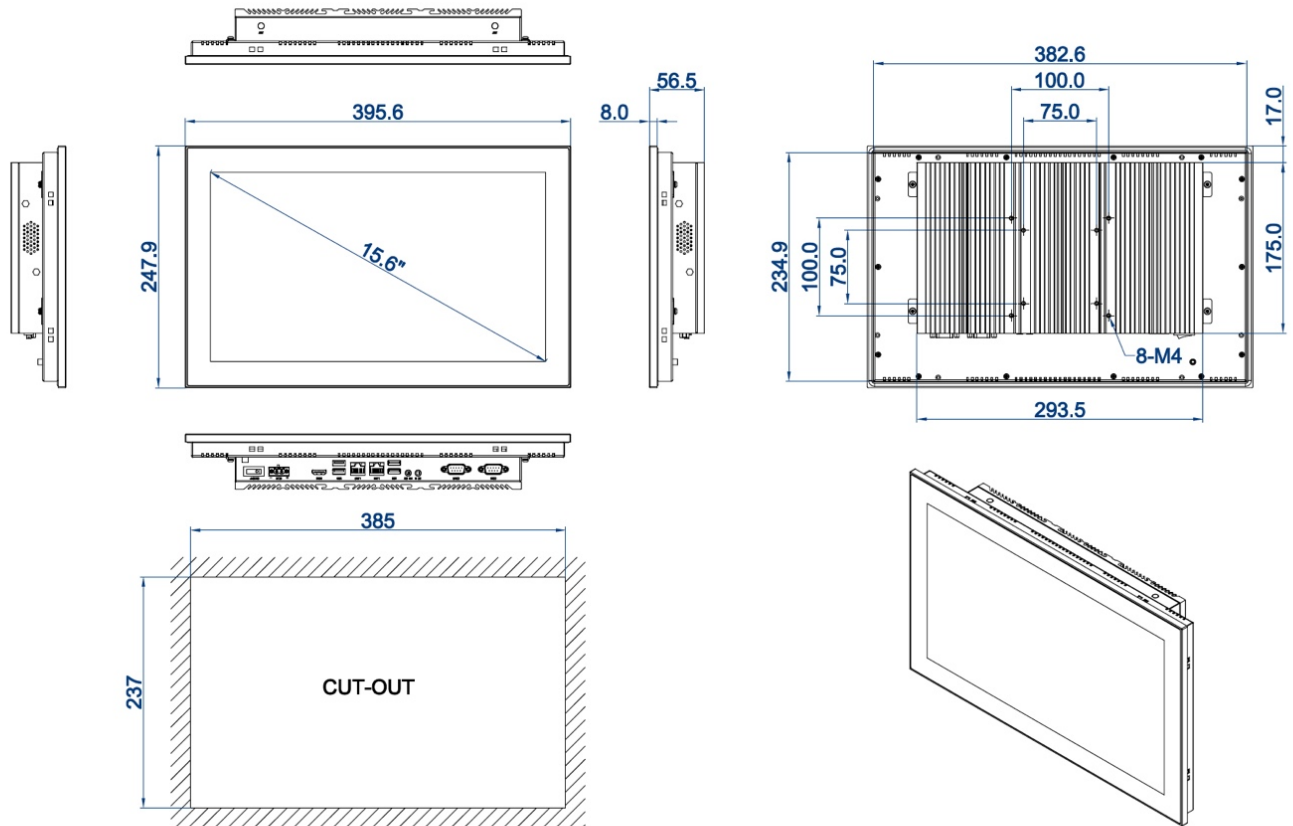
- Widescreen 15.6" TFT LCD display, LED Backlit, Full HD 1920 \*1080;
- Intel Baytrail J1900 2.0Ghz Quad-core processor;
- Multi-points (Max. up to 10 points) Projective capacitive touch, EETI controller;
- Aluminum-magnesium alloy, anodized treatment, Modular designed;
- Wide voltage DC 9~24V power input;
- 2\*GLAN, 4\*USB, 2\*COM, 1\*HDMI, Mic-in/Line-out;
- Fan-less & Slim design, Panel mount, VESA, Front IP65 protection.

## Specification

<b>Hardware &amp; System</b>	BIOS	SPI AMI EEI BIOS	
	CPU	Intel Baytrail J1900, Quad-core 2.0Ghz, burst to 2.42Ghz	
	Memory	SO-DIMM, DDR3L-1333, Max. up to 8GB (Compatible with DDR3)	
	Storage	1* 2.5"SATA + 1*mSATA	
	Graphic	Intel HD Graphics Gen7	
	Network	2* Intel I211AT (Optional 3G/4G/Wi-Fi)	
	Audio	On-board Realtek ACL 282 audio controller	
	Expansion	1* Full size Mini-PCIe slot	
	Watch dog	0~256 seconds programmable	
	OS	Win7, Win8, Win embedded, Win10, Linux	
<b>IO interface</b>	COM	2*RS232 (Support 1x RS485)	
	Ethernet	2* RJ45, 10/100/1000 Mbps	
	Audio	Mic-in/Line-out	
	USB	1x USB3.0, 3x USB2.0	
	Display	1x HDMI	
	Power	1x 2 pins, phenix terminal	
	<b>LCD Display</b>	Size/Type	15.6" TFT LCD
Resolution		1920 * 1080 (Full HD)	
Brightness		450 nits	
Backlit & MTBF		LED backlit & 50 000hours	
Display area		344.16 * 193.59	
View angle		85/85/85/85	
<b>Touchscreen</b>		Type	Projective capacitive touchscreen
	Touch points	Multi points touch, max. up to 10 points	
	Durability	>100 000 000 times	
	Surface hardness	Mohs 6H	
	Special treatment	Anti-fingerprint (AF)	
	<b>Structure</b>	Structure and surface	Magnesium-Aluminum alloy, sand blasting, anodized treatment
Mount method		Panel mount, VESA 75/100	
Cooling system		Large area finned heat sink	
Overall dimension		395.6 * 247.9 * 56.5 (mm)	
Cut-out dimension		385 * 237 (mm)	
Net weight		4.3 KG	
IP protection		Front Panel IP65	
<b>Power &amp; Environmental</b>		Operating temp.	-20 ~ +60°C
		Storage temp.	-30 ~ +70°C
	Relative Humidity	10 ~ 95% @ 10C (Non-condensation)	
	Vibration	50 ~ 500 Hz, 1.5G, 0.15mm peak to peak	
	Shock	10G/Peak (11 ms)	
	Power input	DC 9~24V	
	Power consumption	Around 35W	
	EMC	CE/FCC Class A	

DIMENSIONAL DRAWING:TPC-DCM156

## Dimension



DIMENSIONS IN MILLIMETERS

**TAICEN**  
 DATE:2019.05.15  
 REV:C Unit:mm

## Ordering info.

Part no.	Description
TPC-DCM156HC1	15.6", 1920 * 1080, Intel Baytrail J1900, Pcap. touch, 2*GLAN, 4*USB, 2*COM, 1*HDMI, Mic-in/Line-out, DC 9~24V
TPC-DRM156HC1	15.6", 1920 * 1080, Intel Baytrail J1900, Resistive touch, 2*GLAN, 4*USB, 2*COM, 1*HDMI, Mic-in/Line-out, DC 9~24V
TDDR3- <u>2/4/8</u> GB1	Memory: SO-DIMM, DDR3L, <u>2GB/4GB/8GB</u> Memory
TMSATA- <u>32/64/128/256/512</u> GB1	mSATA SSD: <u>32GB/64GB/128GB/256GB/512GB</u>
T25SAS- <u>256/512</u> GB1	2.5" SATA SSD: <u>256GB/512GB</u>
T25SAH- <u>1T/2T/4T</u> B1	2.5" HDD: <u>1TB/2TB/4TB</u>
TWM-WIFIA1	Wi-Fi module, with Antenna
TWM-WIFIB1	Wi-Fi with BT integrated module, with Antenna
TWM-4GA1	All network 4G/LTE module, With Antenna

## Packing List

- 1x Standard Product
- 1x 60W PSU (Power Supply)
- 1x Power cable & Plug
- 8x Panel mount metal clips